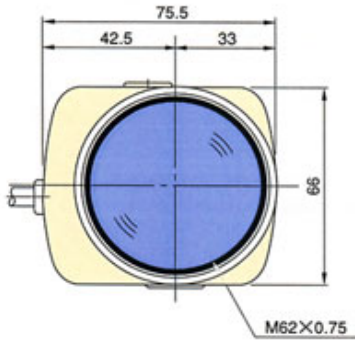
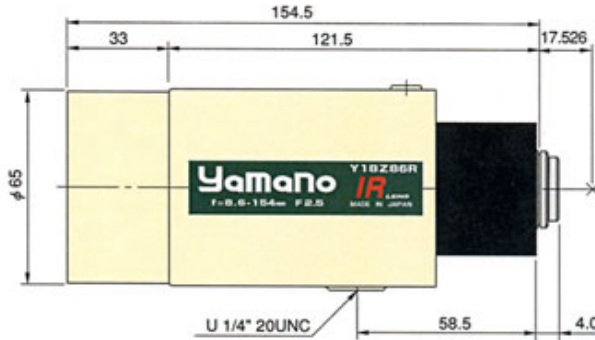


Infrared Corrected Zoom Lens



Y18Z86RAF

Auto Focus



[SPECIFICATIONS] : 1/2" INFRARED CORRECTED AUTO FOCUS MOTORIZED ZOOM LENS 8.6 - 154.0 mm F2.5

Focal Length	8.6 - 154.0 mm		Auto Iris (Manual Remote & Override)	Input Voltage	DC 8V - 16V/40mA	
Max. Aperture Ratio	1 : 2.5			Input Signal	Video Signal (VS or V)	
Iris Range	F2.5 - 360			Accuracy	+/-15% at Image Signal	
Operation	Iris	Auto (Video Drive)		Sensitivity Adjustment	0.5-1.0Vp-p	
	Focus	Auto (Motorized)		Response Speed	Approx. 2 sec.	
	Zoom	Motorized		Metering Method	Average - Peak	
Angle of View	Diagonal	Wide	Tele	Auto Focus	Control Voltage (A Built-In Regulator)	DC 8V - 16V Max. Less 80mA/Motor & PCB
		49.9°	3.02°		Input Signal	Composite Video Signal
	Horizontal	40.7°	2.42°	Focus (Motorization)	Control Voltage (A Built-In Regulator)	DC 6V - 12V Less 40mA/Motor
Vertical	30.9°	1.82°	Motorization Speed		2 - 7 sec.	
Min. Object Distance	1.8 m		Zoom (Motorization)	Control Voltage (A Built-In Regulator)	DC 6V - 12V Less 40mA/Motor	
Back Focal Length	14.2 mm			Motorization Speed	2 - 7 sec.	
Flange Back Length	17.526 mm		Temperature Range	- 10° C - + 50° C		
Filter Size Screw	M62.0mm P=0.75			Dimension	66 x 75.5 x 154.5 mm	
Weight	850 g		Applicable Wavelength	430nm - 950nm		
Mount	C Mount					

[WIRE CONNECTION - STANDARD TYPE]

POWER SUPPLY

YELLOW		+ Vcc Focus Near
BLUE		+ Vcc Focus Far
RED		+ Vcc Zoom Out (Wide)
GRAY		+ Vcc Zoom In (Tele)
GREEN		+ Vcc 12 Volts
SKY BLUE		(DC2V -12V) -AF Off, (DC 0V) -AF On
BLACK		Ground (For AF & Iris +VCC Input)

Specification are subject to change without notice.